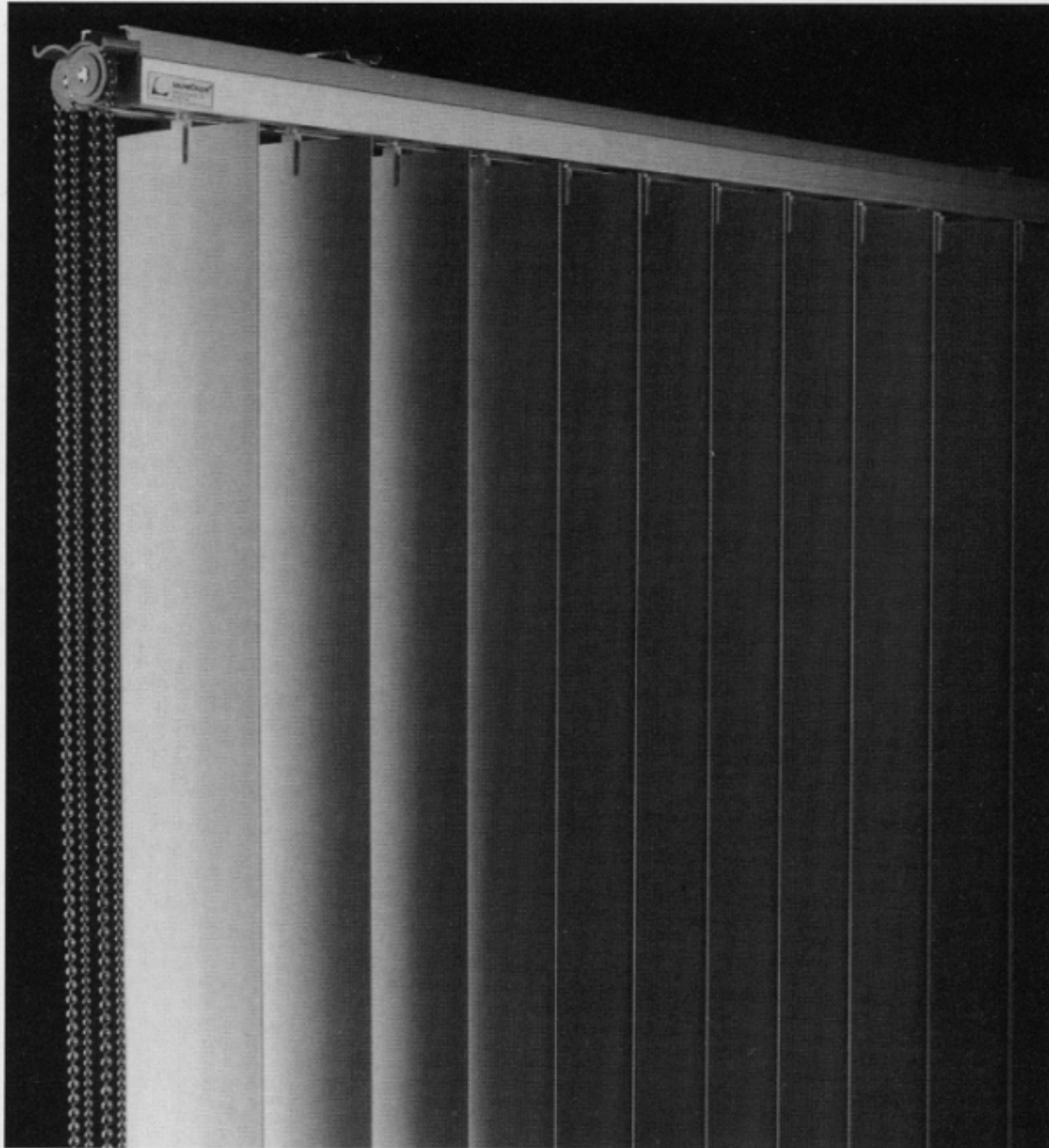


MRRS VERTICAL BLIND

An extra heavy duty rod stack headrail system perfect for oversized commercial applications.



Key Features:

- Symmetrically centered carriers
- Durable design for oversized windows
- Available with top and bottom rail
- 360° rotation
- One Year Warranty

Product Overview

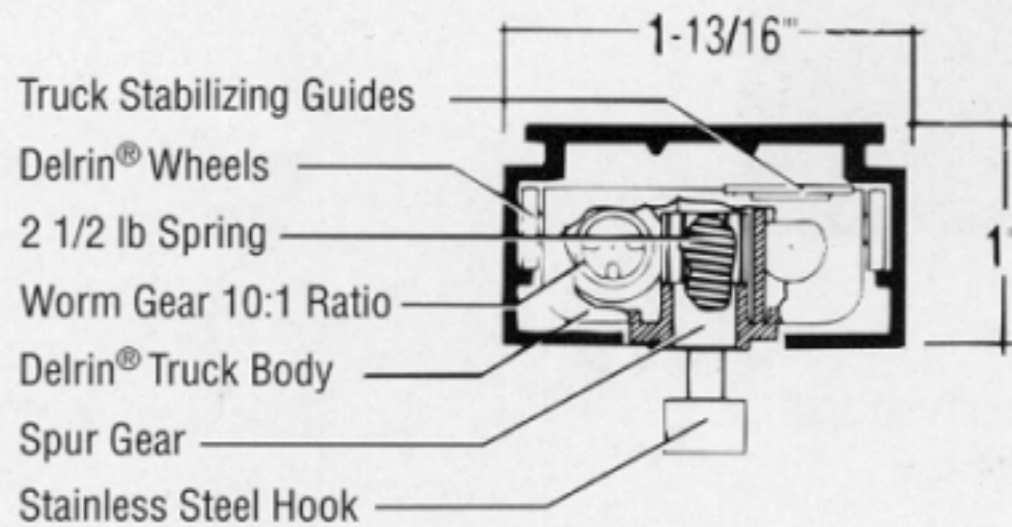
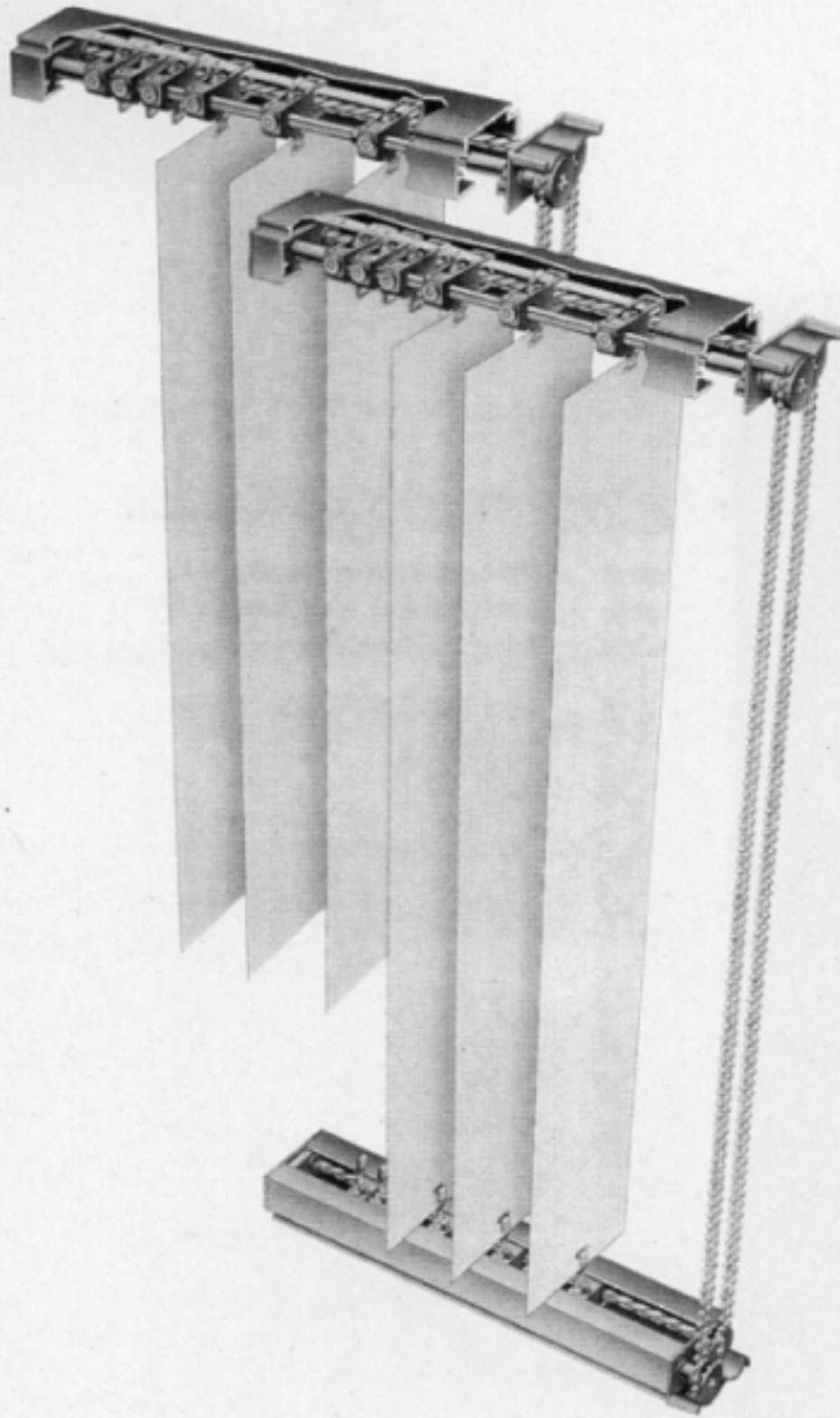
Exclusive to LouverDrape, the rugged MRRS headrail system offers a smooth rod and chain traverse function. The MRRS is excellent for oversized windows or for any application requiring an extremely durable, heavy duty window covering.

For design flexibility, the side stack is not more than $\frac{7}{16}$ " per vane. Vane carriers are symmetrically centered which enables the draw and rotation controls to be reversed in the field. In addition, stacking can be one-way draw, split draw, or center stack. The MRRS is available with top headrail only, or with the dual rail option for top and bottom rail installations.

The motorized option on the MRRS includes separate motors which provide power rotation and power traverse. Motorization does not affect the spacing of the last vane, and the motor unit can be easily concealed by a valance.

The MRRS Headrail System is compatible with LouverDrape's entire line of vinyl, vinyl with fabric insert, perforated vinyl and fabric vanes. In addition to the standard 3 1/2" wide vanes, the MRRS system can also accommodate 2 1/8" mini-verticals in three styles of pearl and matte colors. This narrower vane is especially effective for smaller windows and interior relites.

MRRS VERTICAL BLIND



Product Specifications

For more detailed specifications please reference MRRS product Guide Specifications.

Part II -- Products

- A. MRRS Vertical Blind manufactured by Levolor Home Fashions
- B. One Year Warranty
- C. Materials:

- Headrail** shall be of anodized extruded aluminum alloy 1 13/16" wide by 1 5/16" high for lift-out, and 1 13/16" wide by 1" high for recessed applications. Headrail finish shall be (select one):
 - a. Clear anodized aluminum.
 - b. Deep Bronze (per foot upcharge).
 - c. Ivory (per foot upcharge).
 - d. Custom color (quoted upcharge).
- Carriers** shall be made of Delrin or equal and shall traverse on Delrin wheels. Each carrier shall be nominally 7/16" wide for minimal stack.
- Rotation Control** shall consist of a #6 nickel-plated bead chain for headrail only applications, or a #10 nickel-plated bead chain for top and bottom rail systems. Chains shall synchronize and actuate 360° rotation.
- Traversing Control** shall allow blinds to traverse left to right, right to left or split. Blinds shall traverse by means of a #10 beaded chain rotating an anodized aluminum traverse rod.
- Installation Brackets** shall be provided for lift-out or recessed overhead, wall or ceiling installation using the following:
 - a. Snap-in clamps.
 - b. Angle brackets.
- Vanes** shall be (select one):
 - a. Extruded PVC nominally 2 1/8" wide. Perforated option available.
 - b. Extruded PVC nominally 3 1/2" wide. Perforated option available.
 - c. Fabric nominally 2 1/8" wide.
 - d. Fabric nominally 3 1/2" wide.

LouverDrape®

Levolor Home Fashions
 Contract Division
 4110 Premier Dr.
 High Point, NC 27265
 1-800-221-6803

© Copyright 1996 Levolor Home Fashions. All rights reserved. US and non-US patents and patents pending. Product specifications are subject to change without notice. Printed in the USA.

Contract Customer Service
 1-800-826-8021

R1088000

MRRS VERTICAL BLIND

An extra heavy duty rod stack headrail system perfect for oversized commercial applications

PART I – GENERAL

1.01 SCOPE

- A. Furnish and install LouverDrape blinds, provided by Levolor Home Fashions, 4110 Premier Drive, High Point, NC 27265, in accordance with specifications, drawings, and contract documents.
- B. Related work specified elsewhere.

1.02 QUALITY ASSURANCE

- A. Installer's qualifications:
 - 1. The installer shall be a firm approved by Levolor Home Fashions Contract Division.
 - 2. The installer shall be qualified to install the product specified, as demonstrated by prior experience.
- B. Job mock-up: (Describe)

1.03 SUBMITTALS

- A. Product information: Submit LouverDrape product literature and installation instructions.
- B. Shop drawings: Indicate field-measured dimensions of opening which are to receive blinds, details on mounting surface and sill conditions, and details of corners and conditions between adjacent blinds.
- C. Color samples: Submit a sample of each type and color of material specified.

1.04 DELIVERY, STORAGE, AND HANDLING

- A. Packing and Shipping
 - 1. Materials shall be delivered to the Project in LouverDrape's original unopened packaging with labels intact.
- B. Storage:
 - 1. Materials shall be stored in a clean area which is free of corrosive fumes, dust, and away from construction activities.
 - 2. Materials shall be stacked horizontally using plastic or wood shims such that drainage and ventilation are provided for,

and such that water cannot accumulate in, about or upon the containers.

3. Stacks shall be covered with tarpaulins or plastic such that ventilation is provided for, and such that contaminants are prevented from contacting surfaces.

1.05 PROJECT/SITE CONDITIONS (BEFORE PRODUCT INSTALLATION BEGINS)

- A. Roof must be tight, windows and frames installed and glazed, and interior doors hung.
- B. Wet work including concrete, masonry, plaster, stucco, terrazzo, sheetrock, spackling, and taping (including sanding) shall be complete and dry.
- C. Ceilings, window pockets, electrical, and mechanical work above the product shall be complete.
- D. Electrical power (110 volt AC) shall be available for installer's tools within 500 ft. of product installation areas.

1.06 WARRANTY

- A. One Year Limited Warranty: Levolor Home Fashions Contract Division shall repair or replace for one year from the date of purchase of the blind, at its option, without charge, any part found defective in workmanship or material as long as the blind remains in the same window for which it was purchased.

PART II – PRODUCTS

2.01 MANUFACTURER AND PRODUCT DESCRIPTION:

- A. Acceptable product: LouverDrape MRRS Vertical Blind Headrail System manufactured by Levolor Home Fashions.

B. Materials:

- 1. Headrail and bottom rail shall be of extruded anodized aluminum alloy 1 3/16" wide x 1 5/16" high for lift-out and 1 13/16" wide x 1" high for recessed with capped ends, provided with Delrin, or equal, sprocket wheels.

2. Carriers shall be made of 7/16" wide Delrin plastic or equal and shall traverse on Delrin wheels. No glides or sliders shall be allowed. For top and bottom rail option, each vane shall be held in spring tension between a carrier in the top rail and a carrier in the bottom rail. For headrail only models, carriers shall have one piece spur gear and a Delrin hook.

3. Spacer links of flexible stainless steel 1/4" wide shall space and stabilize carriers by passing smoothly between stabilizer guides on each carrier.

4. Vanes shall rotate 360 degrees and pack, when traversed, into no more than 7/16" per vane. When rotated, 2 1/8" vanes shall overlap not less than 3/8", 3 1/2" vanes shall overlap not less than 3/8".

5. Rotation mechanism shall consist of a #10 nickel-plated bead chain for dual rail option, or a #6 for headrail only models. The chain shall synchronize and actuate 360° rotation by turning a keyed aluminum rod actuating plastic worm and plastic spur gear in each carrier in both top and bottom rail. Gears shall provide no less than 10-to-1 mechanical advantage and keep vanes fixed until reset by control. No cord or 1-to-1 ratio mechanisms will be allowed. On top and bottom models, top and bottom gears shall be synchronized.

6. Traversing mechanism shall allow vertical blinds to traverse left to right, right to left or split. Blinds shall traverse by means of a #10 beaded chain running in a Delrin sprocket rotating a traverse rod which is an anodized aluminum lead screw extending the full length of the headrail and actuating a lead nut.

7. End Caps: Control and return end cap assemblies shall be molded to match aluminum extrusion profile and provide contemporary aesthetic appearance.

8. Installation Brackets shall be provided for overhead, surface or recessed installation using thumb clamps and angle brackets. Brackets shall be designed to facilitate installation and removal of track.

9. Vane spacing: Normal vane spacing on center is a fraction of an inch less than the

the vane size. For example:

Vane width: 2 1/8" Spacing on center 1 3/4"

Vane width: 3 1/2" Spacing on center 3 1/8"

10. Vanes shall be selected from the following (select one): Control location and Stack Draw should be specified.

a. Vanes shall be extruded of 100% GEON solid vinyl or equal. The vinyl shall also contain ultra violet inhibitors. Calcium carbonate content will not exceed 15% on standard colors. Vanes shall withstand 140° heat chamber for thirty minutes without distortion, and with no more shrink and stretch than 1/2 of 1%. A ten-foot vane suspended from the center of one end shall hang straight with no twist, warp or bow. Vanes shall be permanently flame resistant, if unaltered. Certificate of flame retardancy must be provided.

Vanes shall be selected from the following widths and styles:

- i. Widths:
 - nominally 2 1/8" wide
 - nominally 3 1/2" wide
- ii. Styles:
 - solid flat
 - solid curved
 - narrow ridged flat
 - narrow ridged curved
 - wide ridged curved
 - perforated (various openness factors available)

An optional key hole punch with a corrosion-free chain may be specified to control swaying and keep unit functioning as a whole.

b. Fabric vanes shall be available in two styles:

i. Free Hanging: Vanes shall be free hanging woven or slit to 2 1/8" or 3 1/2" (select one) wide, and color fast. Vanes shall have a steel weight inserted into a sewn pocket at bottom of vane. An optional clip-on corrosion-free, nickel plated steel chain shall be attached to weights to control swaying and keep unit functioning as a whole (if specified). Certificate of flame resistancy must be provided.

ii. EverClear Louver Groover: Vanes shall be of color fast fabric slit to appropriate width, slid into groover channel. Groover shall be extruded of 100% GEON vinyl or equal and shall

be guaranteed not to crack or yellow for six years. Groovers should have clear edged that hold fabric in place. Certificate of flame resistancy must be provided.

11. Options shall include:

- a. Motorized blinds which provide power rotation and power traverse. Motorization shall not affect the spacing of the last vane.
- b. Top and bottom rails.
- c. Headrail color: Anodized aluminum is the standard headrail color. Deep Bronze and Ivory are also standard colors available for a minimal per foot upcharge. Custom colors are available at an additional charge.

PART III - EXECUTION

3.01 INSPECTION

- A. Window treatment subcontractor shall be responsible for inspection of site, field measurements, and approval of mounting surfaces and installation conditions.
- B. Subcontractor shall verify that site is free of conditions that interfere with blind installation and operation, and shall begin installation only when any unsatisfactory conditions have been rectified.

3.02 INSTALLATION

- A. Installation shall comply with LouverDrape specifications, standards, and procedures.
- B. Provide support brackets as per LouverDrape's installation instructions.
- C. See installation instructions packaged with blinds for more installation details.
- D. Provide adequate clearance to permit unencumbered operation of blind and hardware.
- E. Demonstrate blinds to be in uniform and smooth working order.

3.03 CLEANING

- A. Vacuum fabric vanes lightly with brush attachment on a regular basis. Stains may be spot cleaned by sponging gently with mild detergent or fabric cleaner. Ensure proper drying following cleaning by providing adequate ventilation.

- B. Clean soiled aluminum and PVC vanes by wiping clean with only a mild liquid detergent soap solution and water. Window cleaner or cloths with paper content should not be used on aluminum vanes. Do not use abrasive cleansers. Ensure proper drying following cleaning by providing adequate ventilation.

 **LouverDrape**®

Levolor Home Fashions
Contract Division

4110 Premier Drive
High Point, NC 27265
1-800-221-6803

Contract Customer Service
1-800-826-8021

©Copyright 1996, Levolor Home Fashions.
All rights reserved. US and non-US patents
and patents pending. Product specifications
are subject to change without notice.
Printed in the USA.