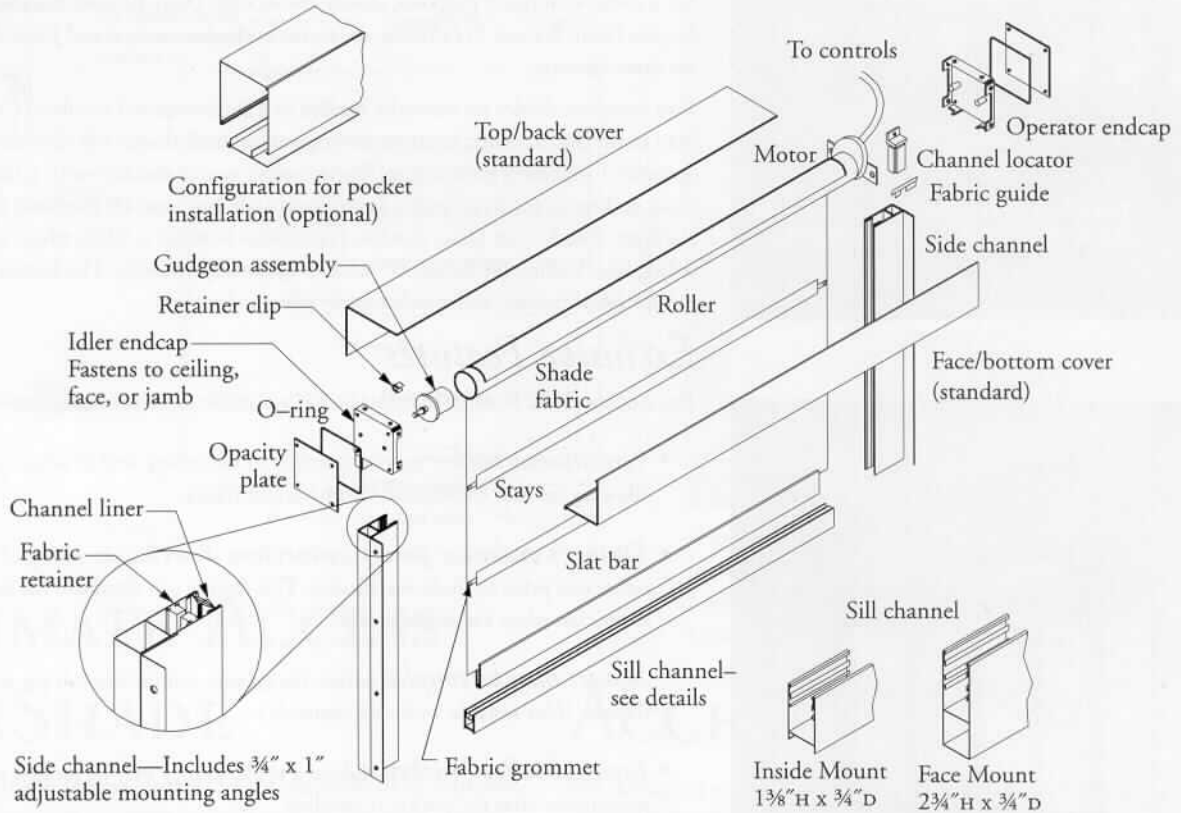


FLEXSHADE COMPONENTS

12492/DRA
BuyLine 2718

Components for a Complete LightBloc System

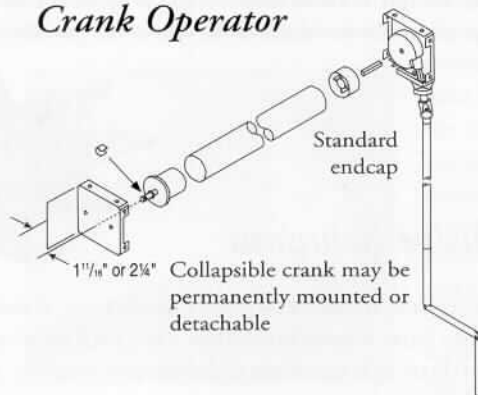


Inside mounting style shown. Details will differ for face-mounted units.

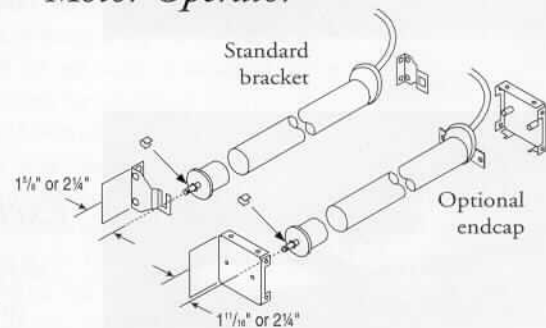
Operating Mechanisms for all FlexShade Systems—

Right hand motor/crank/clutch is standard.
Left hand operator is optional.

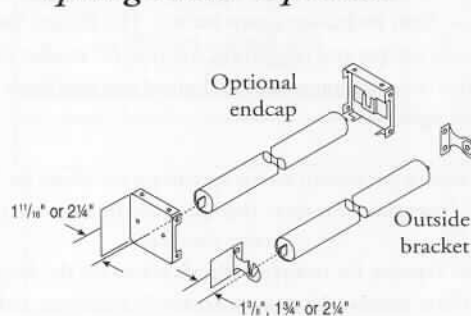
Crank Operator



Motor Operator



Spring Roller Operator



Bead Chain Clutch Operator

