

MANUAL FLEXSHADES

FLEXIBLE SHADING

Simplicity, reliability, and the broadest selection of fabrics in the industry make DRAPER manually operated FLEXSHADES the wise choice for building standard window treatment. Choose from the following operator styles:

- *Bead Chain/Clutch*

Unlike competitive systems, DRAPER clutch never needs adjustment and can be mounted either on the right or left, as preferred.

Shades stop when operating chain is released and cannot mistrack. Standard metal bead chain hangs at the side, leaving the view unobstructed. Preset up and down limit stops prevent shades from being raised or lowered too far.

- *Crank Operator*

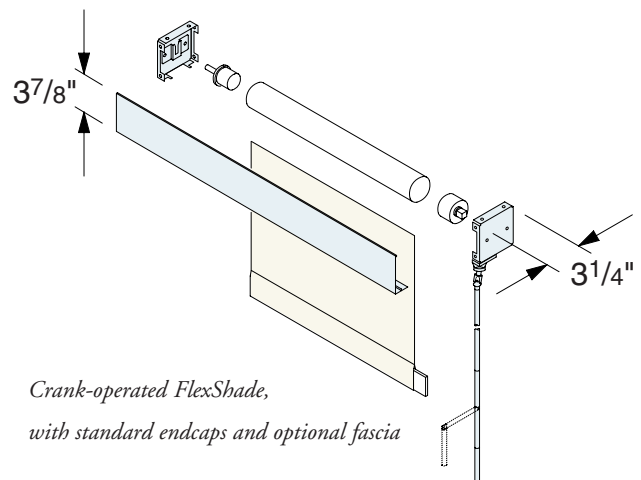
Crank operated FLEXSHADES offer complete reliability and precise light control, with minimal effort. Even the largest shades operate smoothly. With crank control you can easily operate tall shades, wide shades or even groups of shades from a single controller. All shades can be raised or lowered to exactly the same height.

Compact bidirectional gear assembly can be mounted for either right- or left-hand operation. Attractive crank handle hinges form a thin, straight rod at edge of window when not in use. Nothing obstructs your view.

Crank operator can be permanently mounted or detachable, and up to 6' in length. Optional heavy-duty crank is available in lengths to 10'. In public areas a detachable operator prevents unauthorized persons from operating the shades. All crank-operated shades are furnished with endcaps.

- *Spring Roller Operation*

Traditional window shade operation. Galvanized, or enamelled steel rollers and heavy-duty springs sized to operate any shade easily through 12' wide x 12' high.



Swan•E•Set Bay Resort and Country Club, Pitt Meadows, B.C.

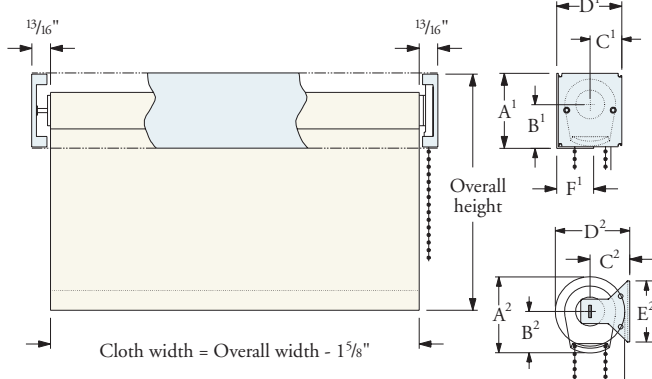


AIA Chicago, Chicago, Illinois

HARDWARE

- **Mounting Brackets**—Standard with all FLEXSHADES, unless optional fascia, headbox, or LIGHTBLOC SYSTEM hardware required. For wall, ceiling, or jamb installation.
- **Fascia**—Extruded fascia conveniently hides hardware. May be mounted inside or outside with necessary endcaps. Available in 16' continuous sections; in black, white, ivory, charcoal bronze, or clear anodized finish. 3⁷/₈" or 4⁵/₈" high as required (consult DRAPER to determine fascia size required for your installation).
- **Pocket**—For clean, flush installation, use extruded pocket. With bottom closure panel in place, only a narrow slot is visible. Type C pocket is available for bead chain/clutch operated shades; Type D for all other operators. Refer to pp. 16-17 for pocket details.
- **Headbox**—Complete extruded headbox is suitable for surface installation to head, jamb, or wall. Sizes 3⁷/₈" or 4⁵/₈" high as required (consult DRAPER to determine size required for your installation).
- **Wall Clip with Closure**—When job condition includes preexisting pocket, use wall clip and closure panel. DRAPER recommends continuous clip for cleanest installation. Closure sizes 1³/₄" or 3". Refer to page 16 for details.
- **Dual Roller System**—With the FLEXSHADE DUAL ROLLER SYSTEM, you can stack two shades vertically in a recessed headbox. This allows for both glare control and room darkening in the same opening.
- **Couplers**—DRAPER'S FLEXSHADE COUPLING SYSTEM lets one crank operator drive up to two additional shade rollers, for a total span of up to 30'. Shades may be installed in FLEXSHADE D POCKET, or in existing pocket.
- **Multiple-Panel Shades**—Exclusive DRAPER carrier bearing allows for two shade panels on one 2" roller with a single crank operator. A no-sag installation is possible up to a width of sixteen feet. (Not available with Type C pocket).

Manual FlexShade Dimensions



Consult Draper to determine which endcap/bracket size is required for your installation. These dimensions are accurate for all manually operated shades.

Headbox or Fascia with Endcaps		Brackets	
Small	Large	Small	Large
A ¹	3 ⁷ / ₈ "	A ²	3 ¹ / ₄ "
B ¹	1 ¹⁵ / ₁₆ "	B ²	1 ⁷ / ₈ "
C ¹	1 ¹¹ / ₁₆ "	C ²	1 ⁵ / ₈ "
D ¹	3 ³ / ₈ "	D ²	3"
F ¹	2 ³ / ₈ "	E ²	2 ¹ / ₂ "
			3 ¹ / ₄ "



FABRICS

Fabric selection is illustrated on pp. 18-21, with fenestration data on p. 22.

- **SheerWeave® Series SW2000/SW2100**—Fiberglass/PVC basketweave, averaging 5% open and 10% open respectively.
- **SheerWeave® Series SW3000**—Fiberglass and polyester/vinyl vertical weave, approximately 14% open.
- **SheerWeave® Series PW3500/4100/4400**—Polyester/vinyl basketweaves, averaging 5%, 10% and 3% open respectively.
- **Natte**—PVC coated fiberglass, approximately 14% open.
- **"E" Screen**—PVC coated fiberglass basketweave, approximately 6% open.
- **Fiz**—Translucent, PVC coated fiberglass plain weave.
- **"T" Screen**—PVC coated fiberglass woven mesh, approximately 5% and 10% open.
- **SheerWeave® Series PW4800**—Fiberglass and polyester/vinyl basketweave, approximately 1% open.
- **Nocturne**—Soft woven polyester, with white acrylic exterior .
- **Flocké**—Opaque fiberglass textile, with white exterior and soft woven interior.
- **Obion**—Room darkening fiberglass textile, with white exterior and soft woven interior.
- **SunBloc Series SB9000**—Opaque vinyl-coated fiberglass.